

# Open Source IDM Projects: Connector Framework Future

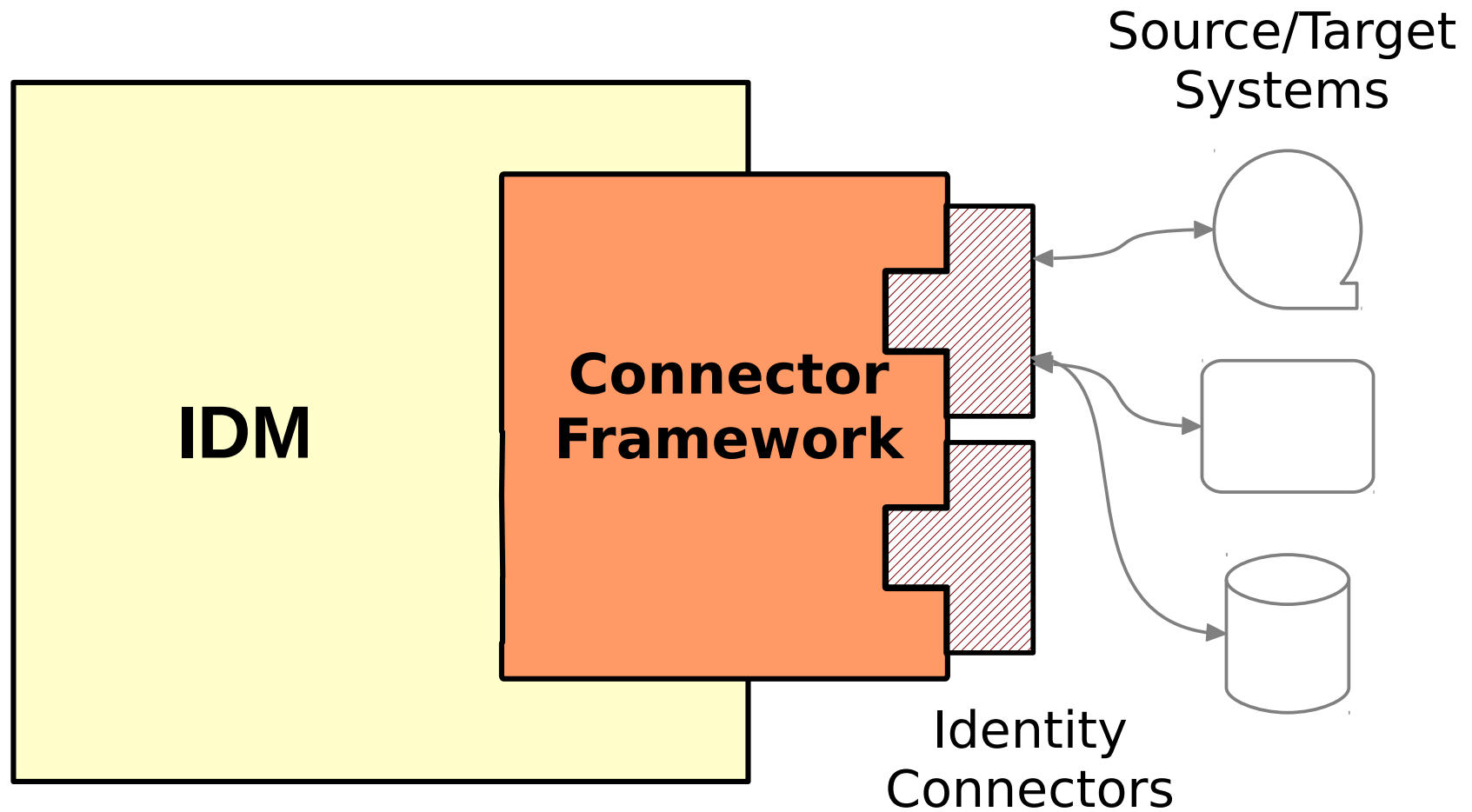
Introduced by:

Francesco Chicchiriccò (Tirasa)

Radovan Semančík (Evolveum)

TIIME Workshop, February 2019, Vienna

# Identity Connector Framework



# In the beginning ...

- Identity Connector Framework (ICF) by Sun Microsystems
- Oracle => ICF is dead (closed source)
- ConnId and OpenICF: not compatible
- ConnId and OpenICF working together  
short period of happiness
- OpenICF not compatible again
- OpenICF is dead (closed source)
- **ConnId**: contributions from Tirasa and Evolveum  
longer period of (mostly) happiness
- ... and what about Wren?



# ICF Issues

- Schema
  - ~~Much too simple~~ (fixed)
  - No complex attribute support
  - Hardcoded UID and NAME
- ~~Synchronization~~ (fixed)
- Object count
- Identification: single identifier, compound identifiers (partially worked around)
- ~~Delta updates~~ (fixed)
- Modification side-effects
- No support for asynchronous operations
- Error handling (can live with, but painful)
- Result handlers
- Consistency: transactions, MVCC, atomicity
- ... and many more ...

# What to do?

- Do we need ConnId 2.0?
- Can ICF concepts survive? (e.g. schema)
- What about compatibility?
- What about funding?